

ULTRABLADE PRO RECESSED EXIT



Recessed Architectural Blade Exit

The sophisticated look and design of the Ultrablade PRO will satisfy all architectural requirements for a premium recessed exit.

With its low profile design, only 80mm of ceiling space is required during installation, combine this with a reduced reflection and halo effect on the diffuser and a decal that is scratch and fingerprint resistant it is no wonder the Ultrablade PRO is the industry standard for an architectural blade exit.

Applications

- | | |
|---|--|
|  Office Buildings |  Shopping Centres |
|  Galleries |  Retail Outlets |
|  Theatres |  Apartments |



Features and Benefits

- AS/NZS 2293.3 compliant
- Low 1.4W to 1.8W standby power consumption
- Recessed mount
- All directional decals in one box
- Lithium Iron Phosphate or Nanophosphate® battery
- Clevertest Plus System compatible
- Theatre version available



ULTRABLADE PRO RECESSED EXIT

ORDERING INFORMATION		EL	LP	L10
PART NO.	Standard	EUBPRO-LI	CUBPRO	LUBPRO
	Clevertest Plus System Compatible	No	Yes	Yes
	DALI	-	CUBPRO-DALI	LUBPRO-DALI
	Zoneworks® XT Hive	-	CUBPRO-HV	LUBPRO-HV
	Theatre Version	No	CUBPRO-TH	LUBPRO-TH
Carton Quantity	5			
Weight - single (carton)	1.1kg (5.5kg)			
Dimensions (L x W x H)	317mm x 8.7mm x 157mm - Blade Assembly 385mm x 67mm - Cover Plate 350mm x 48mm - Ceiling Cutout			
Directional Options	All Directional Inserts Included (Excluding theatre versions)			
Directional Options (Theatre Only)	-	Add Suffix to Part Number, -DS Double Sided, -R Pictograph, L (Left) or R (Right) ie. CUBPRO-TH-DS-RR		

POWER, LAMPS AND BATTERY	EL	LP	L10
Power Consumption (Standby / Max)	1.8W / 2.8W	1.4W / 3.7W	
Lamp(s)	50,000 Hour LED	100,000 Hour LED	
Battery	Lithium Iron Phosphate		Lithium Nanophosphate®
Voltage (V) / Capacity (mAh)	3.2V / 1100mAh	3.2V / 1500mAh	3.3V / 2500mAh
Charging Method	Intelligent Current Limited Constant Voltage		

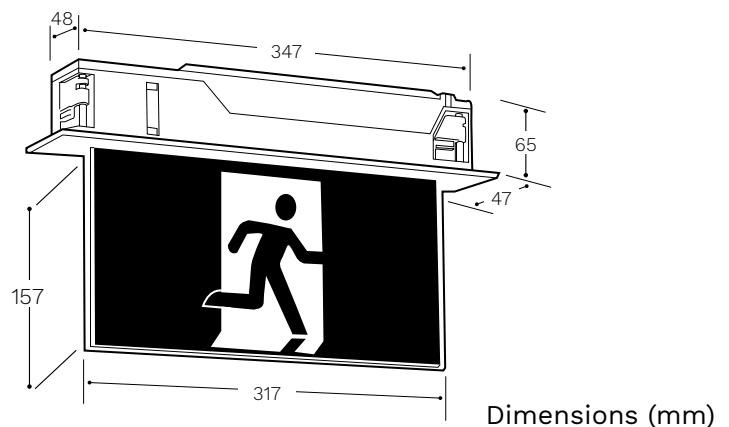
TECHNICAL SPECIFICATIONS		SPARE PARTS			
		EL	LP	L10	
Operating Mode	Maintained	Battery	1560200	1550130	1530050
Voltage (V) Frequency (Hz)	220-240V (50Hz)	Lamp Bar	8002179	8002389	8002389
Construction - Body / Diffuser	PC-ABS / PC	DALI Node	N/A	8003060	8003060
Viewing Distance	24m	Zoneworks® XT Hive Node	N/A	8003190	8003190
Mounting Type	Single and Double Sided	Diffuser	2310250	2310250	2310250
Operating Temperature	1°C to 40°C	ACCESSORIES			
IP Rating (IP)	IP20	EL	LP	L10	
		Mounting Adaptor for Ultrablade	2740054	2740054	2740054
		CLASSIFICATION			
		EL	LP	L10	
		Co	E5	E6.3	E6.3
		C90	E5	E6.3	E6.3

SPACING TABLE AND MOUNTING HEIGHTS – AS/NZS 2293.1:2018 (MINIMUM LIGHT LEVEL OF 0.2 LUX)									
Classification	2.1m	2.4m	2.7m	3.0m	3.3m	3.6m	4.0m	4.5m	5.0m
E5	6.6	7	7.4	7.7	7.9	8.1	8.2	8.2	8
E6.3	6.9	7.4	7.9	8.2	8.5	8.8	9.1	9.2	9.3

For 1 lux and AS/NZS 2293.1:2005 spacing tables please visit:
<https://clevertronics.com.au/spacing-tables/>

Based on minimum light level of 0.2 lux. Maximum allowed mounting height is 2.7m but for exceptions see AS/NZS 2293.1. Spacing classifications do not apply for theatre versions.

*Warranty information located at:
<https://clevertronics.com.au/warranty-statement/>



clevertronics.co.nz
clevertronics.com.au

195 Chesterville Road, Moorabbin VIC 3189
P +61 3 9559 2700 F +61 3 9559 2799 E info@clevertronics.com.au

Clevertronics is committed to continuously improving its products. All features and specifications are subject to change without prior notice. CT-BRO-ANZ-ULTRABLADEPRO-REC-EX-001