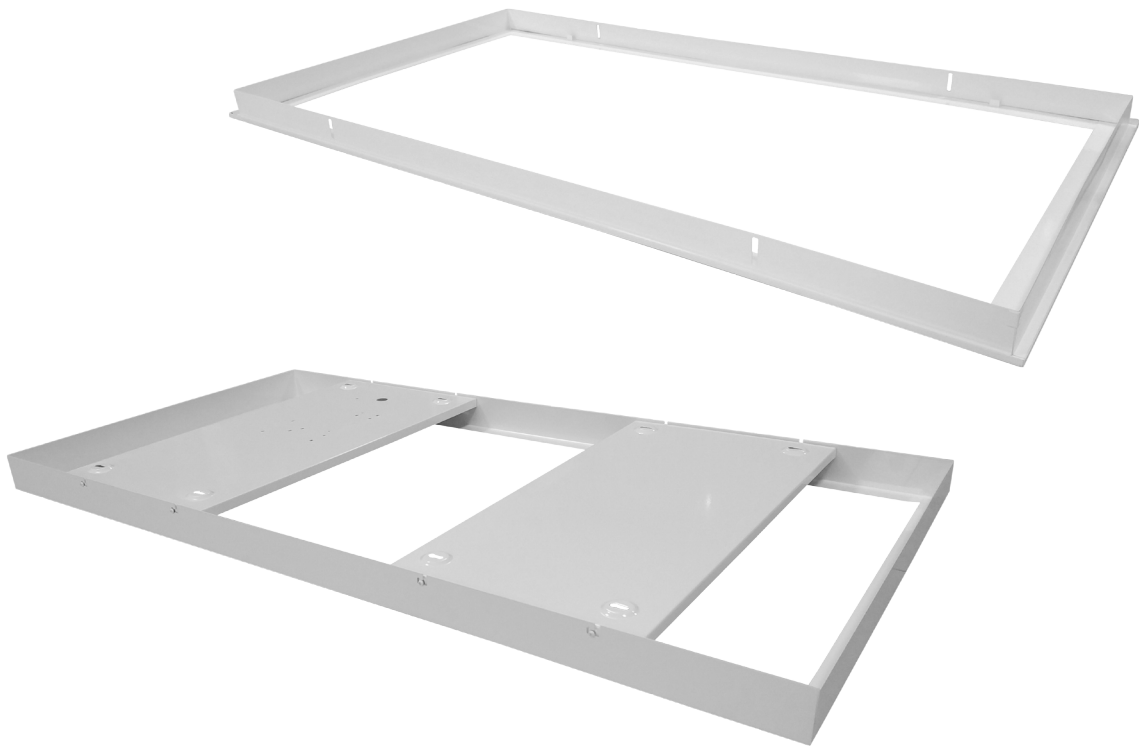




LED PANEL ACCESSORIES

LED Panel mounting frames

AT9056



Finish
Available in White



Mounting
Available in plaster recessed
and surface mounted



Easy to Install
Simple Installation

Product Datasheet

Description

Frames 1200 x 600mm for AT9056 Panel.

Finishes

 White (WH)

Product Range

Atom Code	Finish	Description
AT9056/PRF/WH	White	Plaster Recessed Frame
AT9056/SMF/WH	White	Surface Mounted Frame

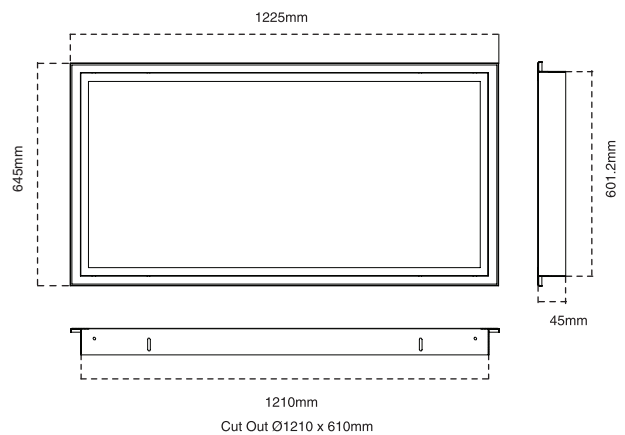
Panel Range

Atom Code	Description
AT9056/WH/CW	54W LED Panel 1200 x 600mm, Cool white
AT9056/WH/DL	54W LED Panel 1200 x 600mm, Daylight
AT9057	Optional panel suspension kit

Dimensions

Model	Length	Width	Height
PRF	1225mm	645mm	45mm
SMF	1200mm	300mm	58mm

AT9056/PRF



AT9056/SMF

