

# UNISTRUT® NEMA 20B CABLE LADDER - STEEL

## TECHNICAL DATA

**Cable Laying Depth:** 109mm

### Loading Data:

Basic Load Capacity  
136kg/lin.m on 6m span  
544kg/lin.m on 3m span

**Length:** 6m

**Rung Spacing:** 300mm nominal

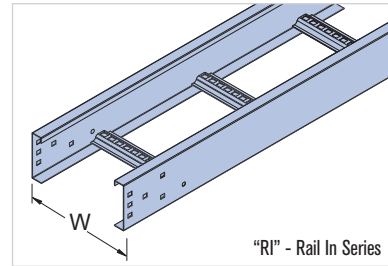
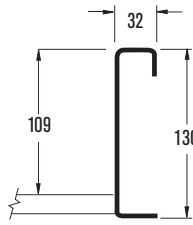
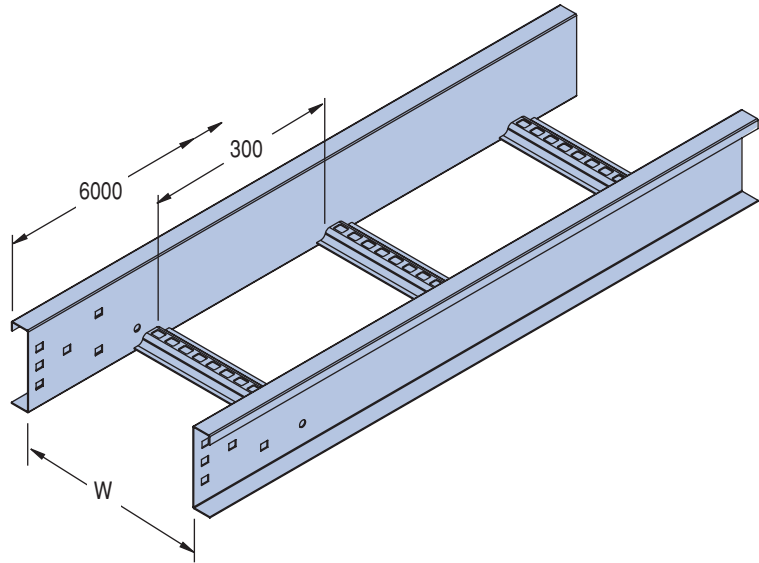
**Standard Finish:** Heavy Duty Galvanised  
*Also available in Stainless Steel Grade 316*

## PARTS LIST

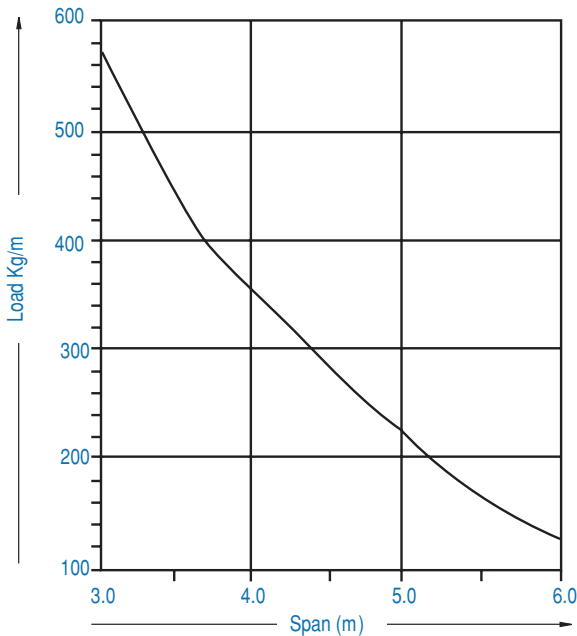
Dim "W"	Type	Part No.
150	20B	20B150
300	20B	20B300
450	20B	20B450
600	20B	20B600
750	20B	20B750
900	20B	20B900

Please specify RI or RO when ordering

\* Splice plate & fixing screws are not included (order separately).

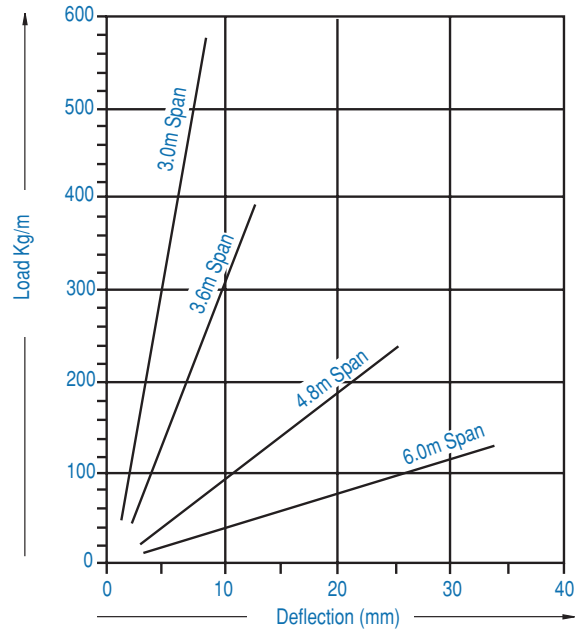


## ALLOWABLE LOAD GRAPH



Allowable loads are determined generally in accordance with NEMA Standard VE1 and verified by testing. Safety Factor = 1.5 on collapse load for single span.

## DEFLECTION GRAPH



Deflections shown apply to the end-bays (ie. worst case) of a continuous ladder run. To find deflection of a single span, multiply by 2.5.