

Catalogue No: **S125NF180**

TB2 MCCB 25kA 1P 80A THERMAL MAGNETIC

Power Distribution and Protection > Circuit Breakers > Moulded Case Circuit Breakers > Terasaki TemBreak 2 Moulded Case Circuit Breakers > TemBreak 2 125 AF > Thermal Magnetic 125 AF



Tembreak2 Moulded Case Circuit Breaker 25kA, 80 A, 1 Pole

Representative Photo Only
(actual product may vary based on configuration selections)

SPECIFICATIONS

Product Series	TemBreak 2 MCCB
Component Type MCCB	MCCB AC
Poles	1P
Frame Size	125 AF size
Rated Frequency	50 / 60 Hz
Trip Unit Protection Type	Fixed Thermal, Fixed Magnetic
Ue, Rated Operational Voltage, AC, max	240 V AC
Uimp, Impulse Withstand Voltage	8 kV
Ui, Rated Insulation Voltage	800 V (rms)
In, Rated Current at 45°C	80 A @45°C
Ics, Rated Service Short-Circuit Breaking Capacity, AC (IEC 60947)	52 % Icu
Icu, Rated Ultimate Short-Circuit Breaking Capacity, 240V AC	25 kA @240VAC
Number of Poles	1
Height	155 mm
Width	30 mm
Depth	68 mm
Weight	0.45 kg
Standard Installation Method	Front Connection
Reverse Connection Of Supply Possible	Yes
Electrical Service Life at Un, In	30000 cycles
Mechanical Service Life	30000 cycles
Standards Compliance	IEC 60947-2 EN 60947-2 JIS C 8201-2-1 Ann.1 NEMA AB1 AS/NZS 60947-2
Thermal Trip Type	Fixed type
Ir, Thermal Trip Current	80 A

Catalogue No: S125NF180

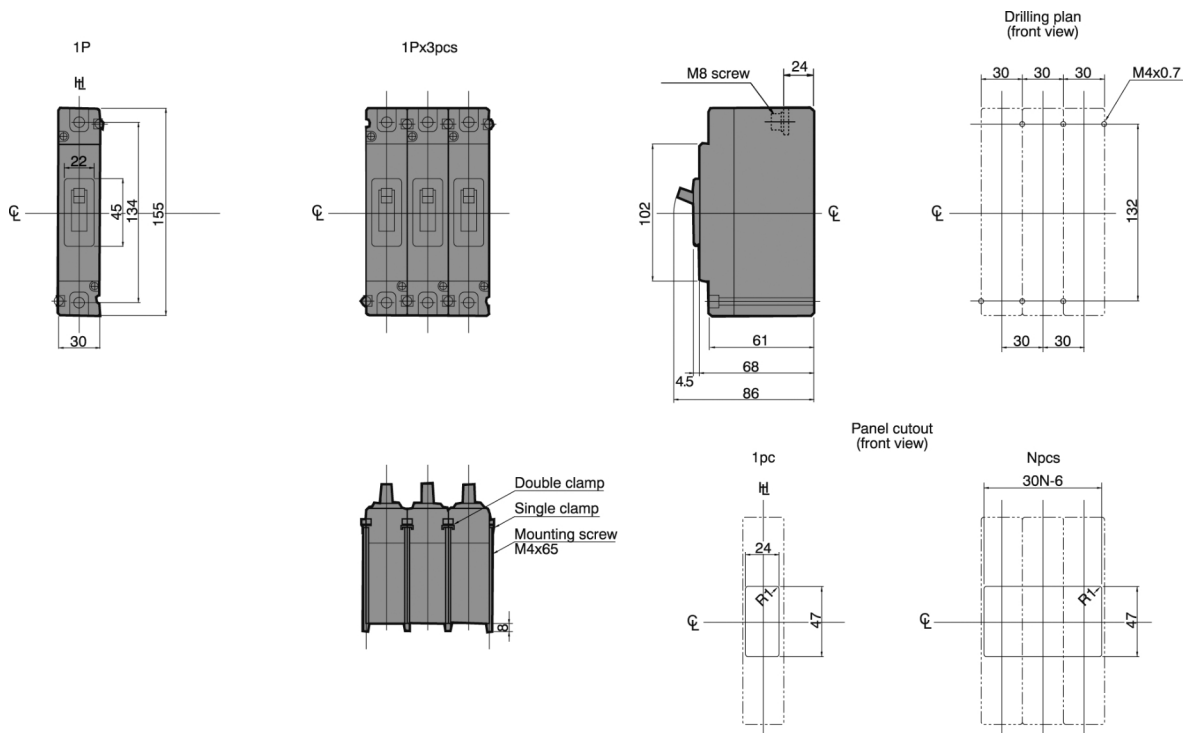
TB2 MCCB 25kA 1P 80A THERMAL MAGNETIC

Power Distribution and Protection > Circuit Breakers > Moulded Case Circuit Breakers > Terasaki TemBreak 2 Moulded Case Circuit Breakers > TemBreak 2 125 AF > Thermal Magnetic 125 AF



Magnetic Trip Type	Fixed type
Im, Magnetic Trip Current	1040 A
Certifications	CE ASTA
Shipping Approvals	Contact NHP

REFERENCES	
IECEx Certificate	-
Supplier Declaration of Conformity:	-
Installation Guide:	-
User Manual:	-
Manufacturer Datasheet:	-
Manufacturer Catalogue & Product Selection:	-



Dimension Diagram