

# Catalogue No: DA28455

## PRESSURE COMPENSATION DEVICE 303 SS M40 IP66/X9K (QTY 1)

Enclosures and Climate Control > Climate Control > Heaters and Regulating Devices > Anti-Condensation Heaters and Regulating Devices > Pressure Compensation and Drainage Devices > Pressure Compensation Plugs - 303 Stainless Steel IP66



Representative Photo Only  
(actual product may vary based on configuration selections)

### Pressure Compensation Device 316 SS M40 IP66 / IPX9K (QTY 1)

- A large range of thermostats (cooling and heating), hygrometers and hygrotherms for control of heating and cooling
- Pressure compensation devices to prevent build up of condensation in areas of rapid temperature rise, or high pressure spray
- Drainage device for the removal of excess moisture
- Contact NHP for a custom heating or cooling solution

#### SPECIFICATIONS

Component Type	Heaters Filter Fans Regulating Devices	Pressure Compensation Device
Air Permeability		1200L/h at a pressure difference of min. 70mbar
Filter		Waterproof membrane
Mounting		40.5mm Mounting
Thread Size		M40 x 1.5 size
Tightening Torque, Nominal		5 Nm
Details, Installation Position		Variable fitting position position
IP Rating		IP66 IPX9K
Diameter, Cutout		40 mm
Depth		31 mm
Depth, in Enclosure		9 mm depth
Weight		0.16 kg
Storage Temperature, Min		-45 °C min
Storage Temperature, Max		80 °C max
Operating Temperature, Max		-45 °C max
Operating Temperature, Min		80 °C min
Package Quantity		1 qty
Packing Unit		1 piece
Material		Stainless Steel, 303

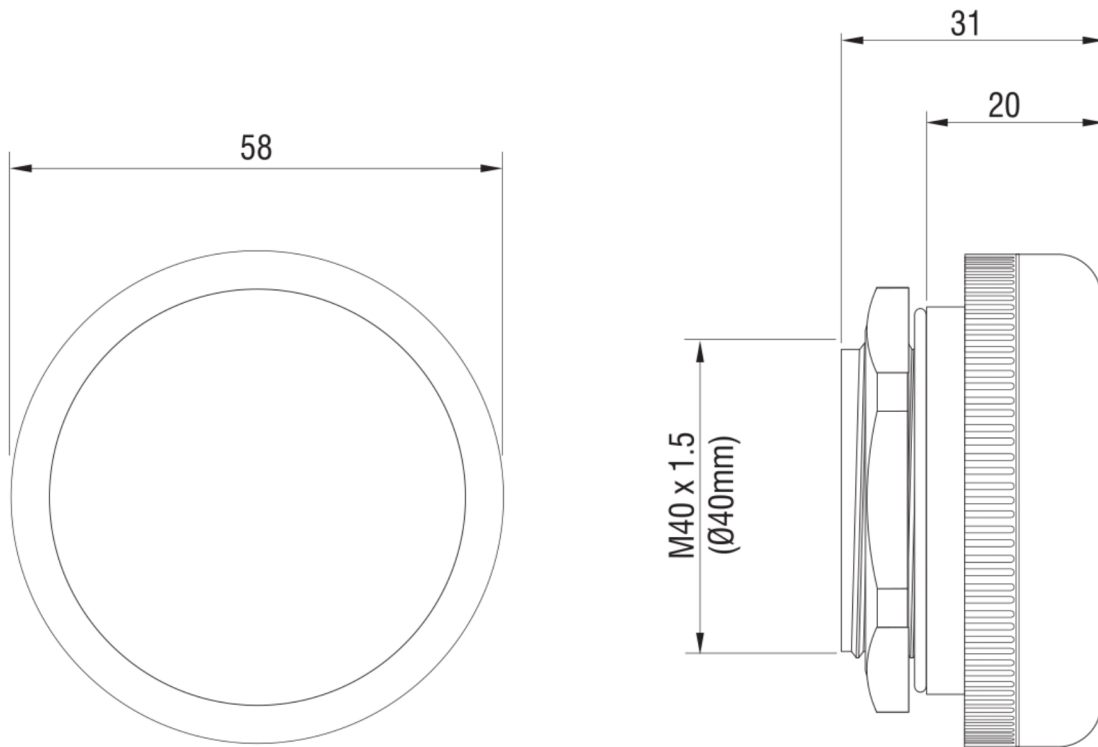
Catalogue No: **DA28455**

**PRESSURE COMPENSATION DEVICE 303 SS M40 IP66/X9K (QTY 1)**

Enclosures and Climate Control > Climate Control > Heaters and Regulating Devices > Anti-Condensation Heaters and Regulating Devices > Pressure Compensation and Drainage Devices > Pressure Compensation Plugs - 303 Stainless Steel IP66



REFERENCES	
IECEX Certificate	-
Supplier Declaration of Conformity:	-
Installation Guide:	-
User Manual:	-
Manufacturer Datasheet:	-
Manufacturer Catalogue & Product Selection:	-



Dimension Diagram