

atom<sup>i</sup>

# LED OYSTER

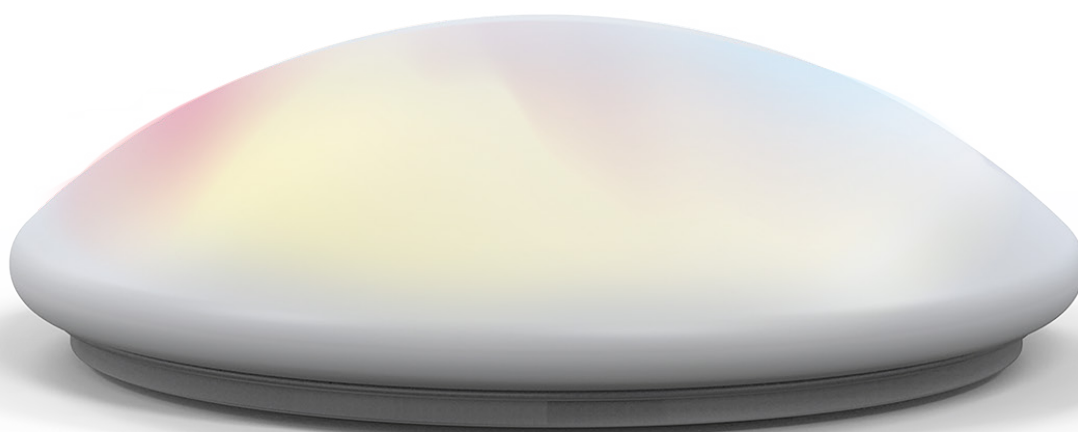
16W 350mm Opal acrylic LED Oyster - WiZ Connected Pro

AT3013/16/WIZ/TR

> 64,000  
WHITES



> 16 Million  
COLOURS



## Features

- Easy to install
- Supplied with WiZ Connected Pro Driver
- Access to WiZ Pro Smarthome platform



**Colour temperature**  
RGB plus Tunable white



**IP Rating**  
IP20



**Connectivity**  
WiFi + Bluetooth



**Warranty**  
3 Years

## Product datasheet

### Description

16W 350mm Opal acrylic LED Oyster - WIZ Connected Pro.

### Finish

 White (WH)

### Product specification

<b>Voltage</b>	200-240V~ 50/60Hz
<b>Power consumption</b>	16W
<b>Light colour options</b>	RGB (64,000 whites + 16 million colours)
<b>Lumen output</b>	1600lm*
<b>Colour temperature</b>	3000K-5700K+RGB
<b>Beam Angle</b>	120°
<b>Dimmable</b>	Via the App or voice control
<b>Warranty</b>	3 years
<b>Colour rendering index</b>	80
<b>Working temperature</b>	-20°C - 45°C
<b>IP Rating</b>	IP20
<b>Electrical classification</b>	Class I
<b>Connectivity</b>	WiFi + Bluetooth
<b>Lifetime</b>	>54,000 Hours reported

\* Lumens expressed are measured at 4000K, cool white.

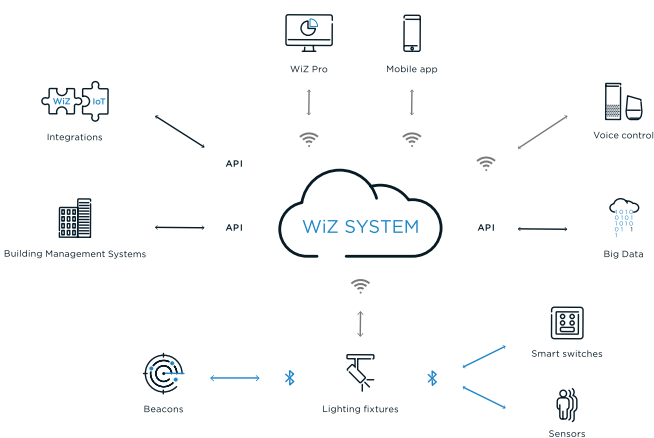
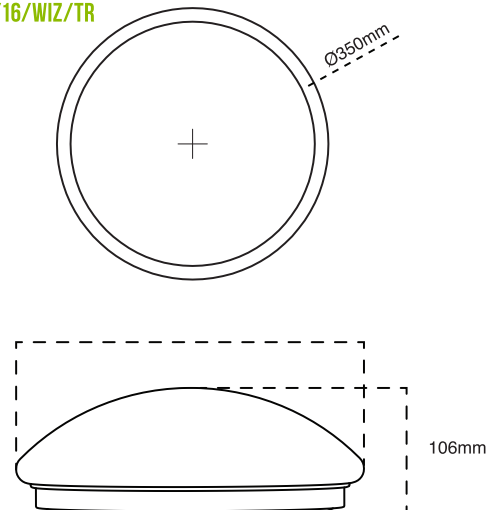
### Product range

Code	Colour options	Finish
AT3013/16/WIZ/TR	RGB (64,000 whites + 16 million colours)	White

### Dimensions

Code	Diameter	Depth
AT3013/16/WIZ/TR	Ø350mm	106mm

AT3013/16/WIZ/TR



### WIZ Pro Enterprise Lighting Interface

- SET THE RULES AND SUPERVISE**  
 Control multiple rooms and floors to use, pre-program, set Schedules and Scenes.
- PREDICTIVE MAINTENANCE**  
 Each light reports its usage to the cloud. Lifespan can be calculated to proactively identify and replace fading lights.
- ENERGY USAGE MONITORING**  
 Reports can be generated and exported based on each lamp's usage and energy consumption.
- BIG DATA**  
 Data gathering on anything related to light usage, locations, users & time of day - all securely recorded on the cloud database.