

OVERLOAD RELAY 50...200 A FOR MOTOR
 PROTECTION SIZE S6,
 CLASS 10 MOUNT. ONTO CONT./ STAND-ALONE MAIN
 CIRCUIT: THROUGH TRANSF. AUX. CIRCUIT: SCREW
 CONNECTION MANUAL-AUTOMATIC-RESET



General technical details:		
Product brand name		SIRIUS
product designation		solid-state overload relay
Protection class IP / on the front		IP20
Insulation voltage / with degree of pollution 3 / rated value	V	1,000
Adjustable response current		
• of the current-dependent overload release	A	50 ... 200
EMC emitted interference		degree of severity B according to EN 55011 (CISPR 11) and EN 55022 (CISPR 22)
Electrostatic discharge / according to IEC 61000-4-2		6 kV contact discharge / 8 kV air discharge
Field-bound parasitic coupling / according to IEC 61000-4-3		10 V/m
Conductor-bound parasitic coupling BURST / according to IEC 61000-4-4		2 kV (power ports), 1 kV (signal ports) corresponds to degree of severity 3
Conductor-bound parasitic coupling conductor-earth SURGE		2 kV (line to earth) corresponds to degree of severity 3
Conductor-bound parasitic coupling conductor-conductor SURGE		1 kV (line to line) corresponds to degree of severity 3
Resistance against shock		15g / 11 ms
Impulse voltage resistance / rated value	kV	8
Active power loss / total / typical	W	0.05
type of protection		PTB 06 ATEX 3001 Ex II (2) GD
Type of assignment		2

Trip class		CLASS 10
Item designation		
<ul style="list-style-type: none"> • according to DIN EN 61346-2 • according to DIN 40719 extendable after IEC 204-2 / according to IEC 750 		F F
Protection against electrical shock		finger-safe

Control circuit:

Design of the electrical connection / for auxiliary and control current circuit		screw-type terminals
--	--	----------------------

Main circuit:

Number of poles / for main current circuit		3
Operating voltage / at AC-3 / rated value / maximum	V	1,000
Operating current / of the fuse link		
<ul style="list-style-type: none"> • rated value 	A	315
Service power / for three-phase servomotors		
<ul style="list-style-type: none"> • rated value 	kW	22 ... 90
Design of the electrical connection / for main current circuit		straight-through transformers
Service power / for three-phase servomotors / at 400 V / at 50 Hz		
<ul style="list-style-type: none"> • for AC three-phase 	kW	22 ... 90

Auxiliary circuit:

Contact reliability / of the auxiliary contacts		acceptability for PLC control (17 V, 5 mA)
Operating current / of the auxiliary contacts		
<ul style="list-style-type: none"> • at AC-15 • at 24 V • at 110 V • at 120 V • at 125 V • at 230 V • at DC-13 • at 24 V • at 60 V • at 110 V • at 125 V • at 220 V 	A A A A A A A A A A A A	4 4 4 4 3 2 0.55 0.3 0.3 0.11
Number of NC contacts		1
Number of NO contacts		1
Number of change-over switches		0

Short-circuit:

Design of the fuse link / for short-circuit protection of the auxiliary switch / required		fuse gL/gG: 6 A
Mechanical design:		
Built in orientation		any
Type of mounting		direct mounting / stand-alone installation
Size of the contactor / can be combined / company-specific		S6
Size of overload relay		S6
Width	mm	120
Height	mm	119
Depth	mm	155
Distance, to be maintained, to the ranks assembly		
• upwards	mm	0
• forwards	mm	0
• sideways	mm	0
• backwards	mm	0
• downwards	mm	0
Distance, to be maintained, to earthed part		
• upwards	mm	0
• forwards	mm	0
• sideways	mm	6
• backwards	mm	0
• downwards	mm	0
Distance, to be maintained, conductive elements		
• upwards	mm	0
• forwards	mm	0
• sideways	mm	6
• backwards	mm	0
• downwards	mm	0
Ambient conditions:		
Ambient temperature		
• during operating	°C	-25 ... 60
Ambient temperature		
• during storage	°C	-40 ... 80
Ambient temperature		
• during transport	°C	-40 ... 80
Relative humidity / during operating phase / maximum	%	100
Installation altitude / at a height over sea level / maximum	m	2,000
Protection class IP		IP20

Connections:

Product function / removable terminal for auxiliary and control circuit

Yes

Type of the connectable conductor cross-section

- for auxiliary contacts
 - solid
 - finely stranded
 - with conductor end processing
- for AWG conductors / for auxiliary contacts

0.5 ... 4 mm², 2x (0.5 ... 2.5 mm²)

0.5 ... 2.5 mm², 2x (0.5 ... 1.5 mm²)

2x (20 ... 14)

Certificates/approvals:

Verification of suitability

CSA / UL / CCC / GL / LRS / DNV

General Product Approval

For use in hazardous locations

Test Certificates



CQC



CSA

[ROSTEST](#)



UL



PTB

[Manufacturer](#)

Shipping Approval

other



ABS



DNV



GL



LRS



RINA

[Manufacturer](#)

Further information:

Information- and Downloadcenter (Catalogs, Brochures,...)

<http://www.siemens.com/industrial-controls/catalogs>

Industry Mall (Online ordering system)

<http://www.siemens.com/industrial-controls/mall>

CAX-Online-Generator

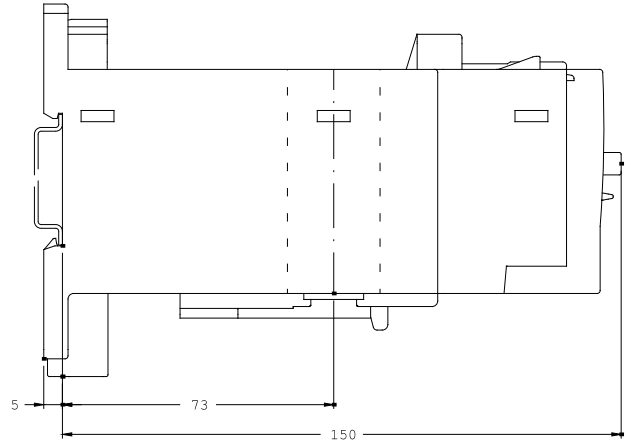
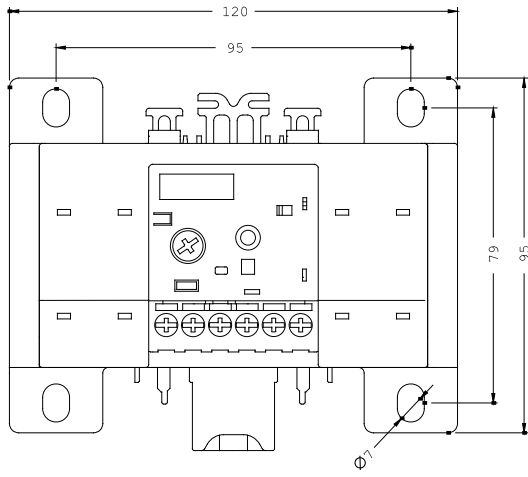
<http://www.siemens.com/cax>

Service&Support (Manuals, Certificates, Characteristics, FAQs,...)

<http://support.automation.siemens.com/WW/view/en/3RB2056-1FW2/all>

Image database (product images, 2D dimension drawings, 3D models, device circuit diagrams, ...)

http://www.automation.siemens.com/bilddb/cax_en.aspx?mlfb=3RB2056-1FW2



last change:

Oct 24, 2011