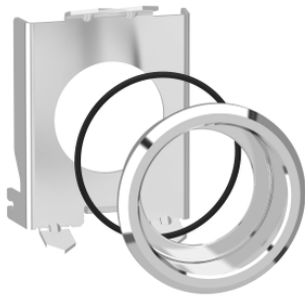


ZB4BZ022

Metal flush mounting kit for Ø22 selector switch and ill.pushbutton



Main

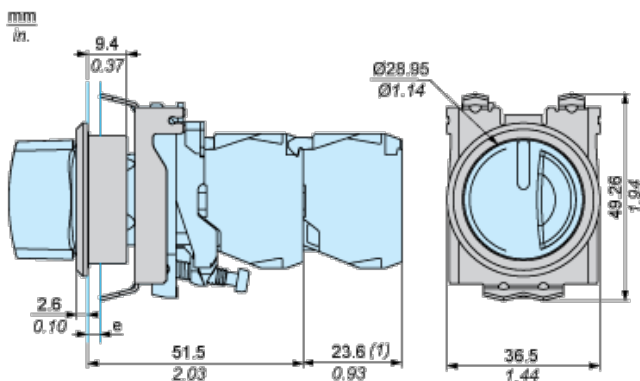
Range of product	Harmony XB4
Product or component type	Flush mounting kit
Accessory / separate part category	Mounting and fixing accessory
Accessory / separate part destination	Selector switch with high bezel and high guard Illuminated push-button with high bezel and high guard

Complementary

Product compatibility	ZB4BW ZB4BA.6 ZB4BD ZB4BD.8 ZB4BD.9 ZB4BK ZB4BJ ZB4BH..3
Surface finish	Chromium plated
IP degree of protection	IP66 front face IEC 60529 IP69 front face IEC 60529 IP69K front face DIN 40050-9
IK degree of protection	IK06 IEC 50102
Mounting diameter	30.5 mm
Quantity per set	Set of 1
Product weight	0.021 kg

Environment

Dimensions with Flush Mounting Kit



e : Clamping thickness : 1.2 to 2.8 mm / 0.05 to 0.11 in.

(1) Additional row of contacts or double contact

Panel Cut-Out and Mounting

mm
in.

