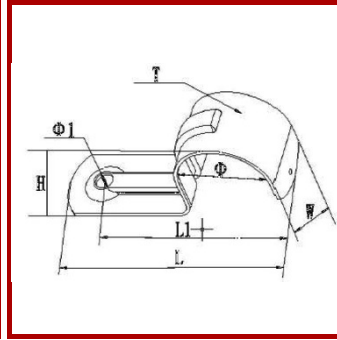


TECHNICAL SHEET METAL HALF SADDLES



Benefits :

Quick and easy installation: "Clips" feature for snapping and positioning the saddles onto conduit before securing it.
Reinforced rib for extra strength.

Application(s) :

Used to secure and mount electrical cables and conduits to a variety of work surfaces.
For indoor and outdoor application.

Technical details :

Material: steel Q235.

All references in electro-galvanized steel except the BIZ 390 069 in hot dip galvanized steel.

Coating: blue-white zinc galvanized, $\geq 5 \mu\text{m}$.

Reference	AU-reference	Ø (mm)	Ø1 (mm)	H (mm)	L (mm)	L1 (mm)	W (mm)	Thickness (mm)	Quantity per box	Selling unit
BIZ 390 066	BIZMHS16	16	5	17	45	33	19	1.2	100	Each
BIZ 390 067	BIZMHS20	20	5	21	50.8	38.6	19	1.2	100	Each
BIZ 390 068	BIZMHS20A	20	6.5	21	50.8	38.6	19	1.2	100	Each
BIZ 390 069	BIZMHS20HDG	20	5	21	50.8	38.6	19	1.2	100	Each
BIZ 390 070	BIZMHS25	25	5	26.8	59.5	45.7	25.2	1.2	100	Each
BIZ 390 071	BIZMHS25A	25	6.5	26.8	59.5	45.7	25.2	1.2	100	Each
BIZ 390 072	BIZMHS32	32	6.2	33.6	71.9	58.4	25.2	1.2	50	Each
BIZ 390 073	BIZMHS40	40	6.2	43	80	66.2	31.9	1.2	50	Each
BIZ 390 074	BIZMHS50	50	6.2	51	92.5	79.5	39.2	1.7	20	Each