

# ALBATROSS

## Albatross DC 2100mm (84")

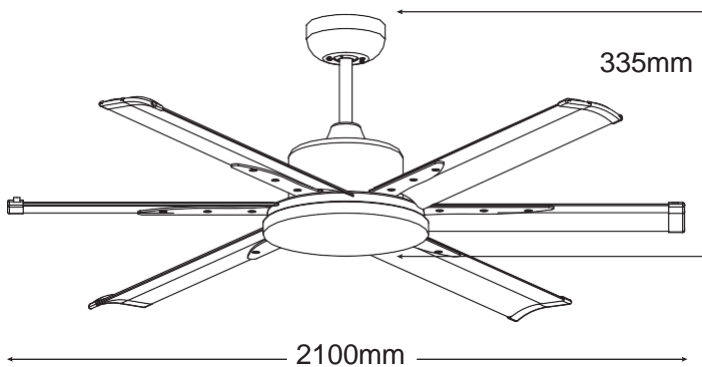


\* 3 year In Home + 3 year motor replacement warranty

### FEATURES

- /// 6 year warranty\*
- /// Includes 5 speed remote control
- /// Energy efficient and powerful 35W DC motor
- /// Brushless quiet DC motor
- /// Summer/Winter reverse button on the remote
- /// Fully reversible for summer & winter
- /// Up to 8hr fan timer
- /// Hangsure angle canopy
- /// 17° blade pitch
- /// Blades sold separately
- /// Electronically factory balanced blades
- /// Aluminium blades

### DIAGRAMS



	FORWARD/REVERSE				
SPEED	1	2	3	4	5
CURRENT	0.252A	0.19A	0.153A	0.125A	0.106A
POWER	33w	22w	16w	10w	6w