

EMONA INSTRUMENTS PTY LTD

PAC-OPT Test Tag Printer QUICK USER GUIDE

1. Label Test Tag Information






To comply with AS/NZS 3760, operator **MUST** write their names on the 'Tested by' field provided with a permanent marker.

Available in 6 colours:
OPT-WHITE, OPT-RED, OPT-ORANGE, OPT-BLUE, OPT-GREEN, OPT-YELLOW

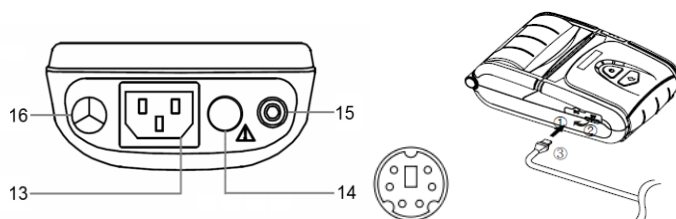
2. Auto Calibration Function

The label printing function requires the recognition of label paper gaps in order to print properly.

Auto Calibration Instructions (to detect Label Gap)

- 1) Turn the printer power off while in label print mode.
- 2) Press and hold down the feed button  and then press the power button .
- 3) After the following printout is outputted, press the power button  to perform auto calibration.
Select the mode
 - Auto Calibration: Power Button
 - Self Test: Feed Button
- 4) A couple of label papers are outputted when performing auto calibration to normalize tracking.
- 5) Turn the printer off

3. Printer Interface Cable Connection



NSW

78 Parramatta Rd
Camperdown NSW 2050
Tel 02 9519 3933
Fax 02 9550 1378

VIC

1206 Toorak Rd
Camberwell VIC 3124
Tel 03 9889 0427
Fax 03 9889 0715

QLD

1/1644 Ipswich Rd
Rocklea QLD 4106
Tel 07 3275 2183
Fax 07 3275 2196

SA, NT & TAS

3/26 The Parade West
Kent Town SA 5067
Tel 08 8363 5733
Fax 08 8363 5799

WA

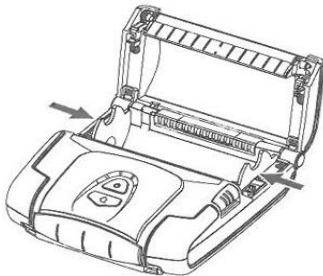
63 Shepparton Rd
Victoria Park WA 6100
Tel 08 9361 4200
Fax 08 9361 4300

Connect the PAC 3760 DL to the printer with the Printer Interface Cable supplied. Plug the mini DIN connector end into the tester's mini DIN interface socket (14) and the other end to the side of the PAC-OPT printer's comms socket (2), as shown on the picture above.

NOTE: Pay attention to the pins on the mini-DIN interface cable and ensure the plug header goes in the right way as there is risk of damaging one of the pins if excessive force is used.

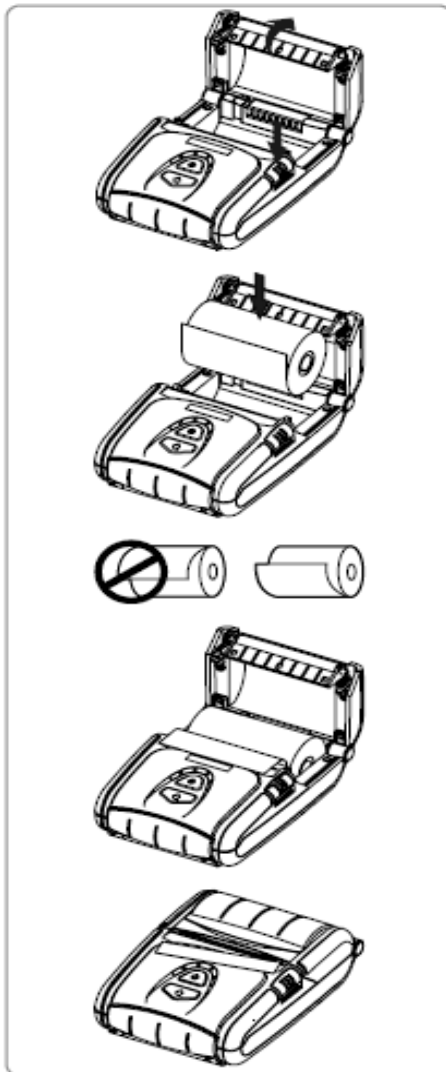
4. Adjusting Paper Guide

112mm → 105mm



- 1) In order to use our label, hold the upper edge of the paper guide and adjust the paper guide for both sides in the direction of the arrow shown in the picture.

5. Label Roll Installation



- 1) Press the Open button to open the paper cover.

- 2) Insert the paper as shown in the image. (Remove any remaining core of a fully used paper roll.)

- 3) Take care to align the paper correctly.

- 4) Pull the paper out as shown in the image and close the paper cover.

- 5) Tear off any excess paper in the direction of the side of the printer.

NSW

78 Parramatta Rd
Camperdown NSW 2050
Tel 02 9519 3933
Fax 02 9550 1378

VIC

1206 Toorak Rd
Camberwell VIC 3124
Tel 03 9889 0427
Fax 03 9889 0715

QLD

1/1644 Ipswich Rd
Rocklea QLD 4106
Tel 07 3275 2183
Fax 07 3275 2196

SA, NT & TAS

3/26 The Parade West
Kent Town SA 5067
Tel 08 8363 5733
Fax 08 8363 5799

WA

63 Shepparton Rd
Victoria Park WA 6100
Tel 08 9361 4200
Fax 08 9361 4300