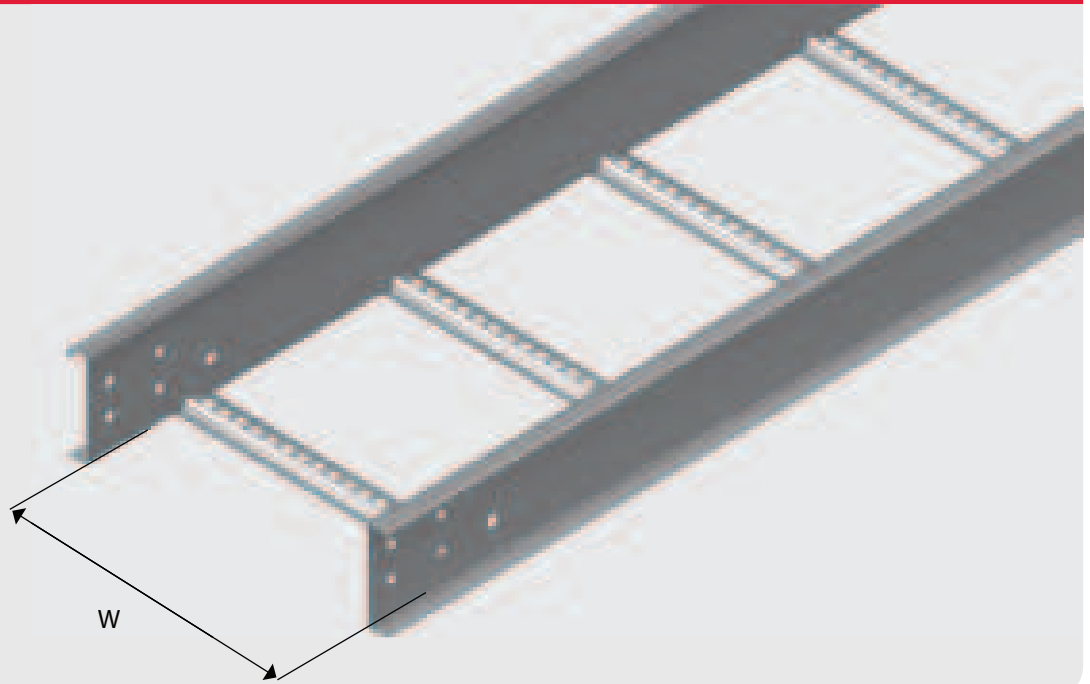


NEMA 20C CABLE LADDER



PRODUCT DETAILS

EzyStrut Nema 20C Steel Cable Ladder is manufactured from strip steel to the following Standards:

- Mild steel and Hot Dip Galvanised to AS/NZS1365, AS1594, AS/NZS4680, ISO1461
- Stainless Steel to AS1449/AS2837
- Meets the loading requirements of NEMA 20C Classification

STANDARD LENGTH

- 6 Metres
- 3 Metre lengths manufactured against firm orders only

ORDERING DETAILS

Supplied per length

AVAILABLE FINISH

- Hot Dip Galvanised
- Stainless Steel

ORDERING CODE

- N20CL...H
- N20CL...S

Stainless Steel products are manufactured against firm orders only. Minimum production quantities may apply.

Ordering Code	Cable Laying Width - W (mm)	Cable Laying Depth (mm)	Overall Width (mm)	Side Rail Height (mm)
N20CL150	150	135	214	150
N20CL300	300	135	364	150
N20CL450	450	135	514	150
N20CL600	600	135	664	150
N20CL900	900	135	964	150

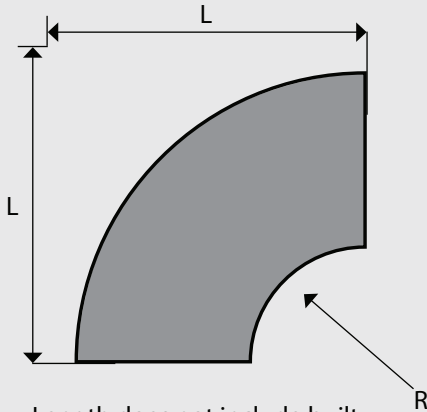
LOAD RATING AND DEFLECTION

SPAN METRE	LOAD PER METRE	DEFLECTION
6.0	149kg	Deflection 24mm
5.5	177kg	Deflection 20mm
5.0	215kg	Deflection 17mm
4.5	265kg	Deflection 12mm
4.0	256kg	Deflection 11mm

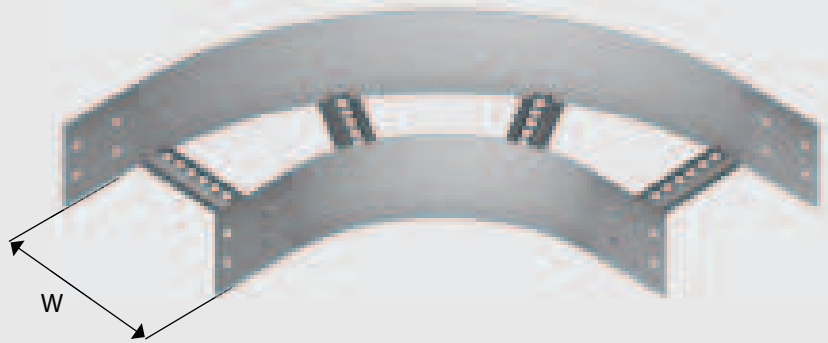
Nema 20C Steel Cable Ladder has been tested in accordance with NEMA standards and the load ratings certified by a NATA accredited testing facility.

A guide to deflection for continuous runs has been included for easy reference, however it should be noted that the positioning of splice joints and loading techniques can significantly impact upon the actual deflection. Refer to NEMA VE2 Installation guidelines for further explanation.

NEMA 20C CABLE LADDER BEND



Length does not include built in splice plates. Splice plate length is 150mm.



Fitting shown for illustration purposes only. The rung layout shown is typical and will vary on each fitting, depending on width and radius.

PRODUCT DETAILS

EzyStrut Nema 20C Steel Cable Ladder Bends are manufactured from strip steel to the following standards:

- Mild steel and Hot Dip Galvanised to AS/NZS1365, AS1594, AS/NZS4680, ISO1461
- Stainless Steel to AS1449/AS2837
- Meets the loading requirements of NEMA 20C Classification

The standard radius for EzyStrut Nema 20C Bends is 450mm.

16 splice bolts (SBH or SBS) and splice nuts (SNH or SNS) should be ordered separately for installation. See Page 2.2.

ORDERING DETAILS

Supplied individually

AVAILABLE FINISH

Hot Dip Galvanised
Stainless Steel

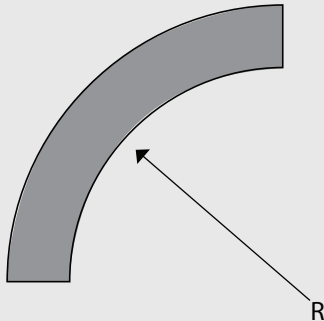
ORDERING CODE

N20CB...H
N20CB...S

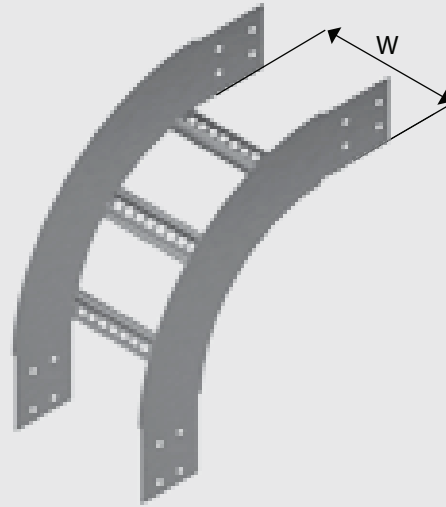
Stainless Steel products are manufactured against firm orders only. Minimum production quantities may apply.

Ordering Code	Cable Laying Width - W (mm)	Cable Laying Depth (mm)	Length - L (mm)	Radius - R (mm)	
300mm Radius	N20CB1503	150	129	450	300
	N20CB3003	300	129	600	300
	N20CB4503	450	129	750	300
	N20CB6003	600	129	900	300
	N20CB9003	900	129	1200	300
450mm Radius	N20CB1504	150	129	600	450
	N20CB3004	300	129	750	450
	N20CB4504	450	129	900	450
	N20CB6004	600	129	1050	450
	N20CB9004	900	129	1350	450
600mm Radius	N20CB1506	150	129	750	600
	N20CB3006	300	129	900	600
	N20CB4506	450	129	1050	600
	N20CB6006	600	129	1200	600
	N20CB9006	900	129	1500	600

NEMA 20C CABLE LADDER EXTERNAL RISER



Radius does not include built in splice plates. Splice plate length is 150mm.



Fitting shown for illustration purposes only. The rung layout shown is typical and will vary on each fitting, depending on width and radius.

PRODUCT DETAILS

EzyStrut Nema 20C Steel Cable Ladder External Risers are manufactured from strip steel to the following standards:

- Mild steel and Hot Dip Galvanised to AS/NZS1365, AS1594, AS/NZS4680, ISO1461
- Stainless Steel to AS1449/AS2837
- Meets the loading requirements of NEMA 20C Classification

The standard radius for EzyStrut Nema 20C External Risers is 450mm.

16 splice bolts (SBH or SBS) and splice nuts (SNH or SNS) should be ordered separately for installation. See Page 2.2.

ORDERING DETAILS

Supplied individually

AVAILABLE FINISH

Hot Dip Galvanised
Stainless Steel

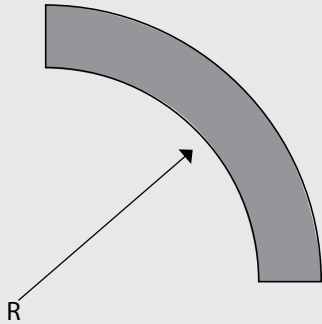
ORDERING CODE

N20CER...H
N20CER...S

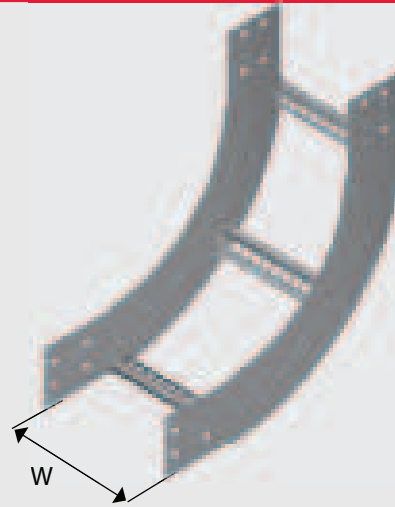
Stainless Steel products are manufactured against firm orders only. Minimum production quantities may apply.

	Ordering Code	Cable Laying Width - W (mm)	Cable Laying Depth (mm)	Radius - R (mm)
300mm Radius	N20CER1503	150	129	300
	N20CER3003	300	129	300
	N20CER4503	450	129	300
	N20CER6003	600	129	300
	N20CER9003	900	129	300
450mm Radius	N20CER1504	150	129	450
	N20CER3004	300	129	450
	N20CER4504	450	129	450
	N20CER6004	600	129	450
	N20CER9004	900	129	450
600mm Radius	N20CER1506	150	129	600
	N20CER3006	300	129	600
	N20CER4506	450	129	600
	N20CER6006	600	129	600
	N20CER9006	900	129	600

NEMA 20C CABLE LADDER INTERNAL RISER



Radius does not include built in splice plates. Splice plate length is 150mm.



Fitting shown for illustration purposes only. The rung layout shown is typical and will vary on each fitting, depending on width and radius.

PRODUCT DETAILS

EzyStrut Nema 20C Steel Cable Ladder Internal Risers are manufactured from strip steel to the following standards:

- Mild steel and Hot Dip Galvanised to AS/NZS1365, AS1594, AS/NZS4680, ISO1461
- Stainless Steel to AS1449/AS2837
- Meets the loading requirements of NEMA 20C Classification

The standard radius for EzyStrut Nema 20C Internal Risers is 450mm.

16 splice bolts (SBH or SBS) and splice nuts (SNH or SNS) should be ordered separately for installation. See Page 2.2.

ORDERING DETAILS

Supplied individually

AVAILABLE FINISH

Hot Dip Galvanised
Stainless Steel

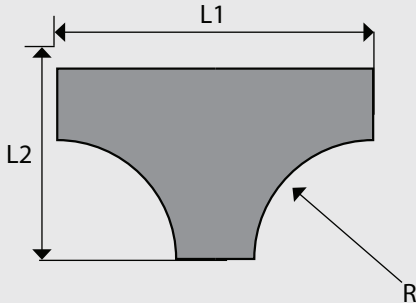
ORDERING CODE

N20CIR...H
N20CIR...S

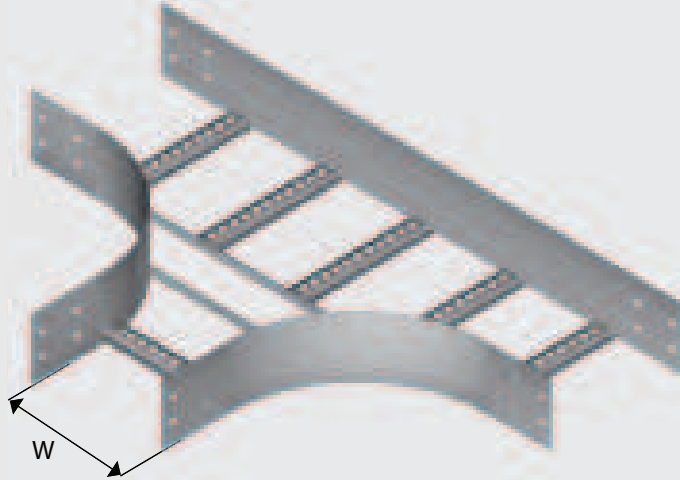
Stainless Steel products are manufactured against firm orders only. Minimum production quantities may apply.

Ordering Code	Cable Laying Width - W (mm)	Cable Laying Depth (mm)	Radius - R (mm)	
300mm Radius	N20CIR1503	150	129	300
	N20CIR3003	300	129	300
	N20CIR4503	450	129	300
	N20CIR6003	600	129	300
	N20CIR9003	900	129	300
450mm Radius	N20CIR1504	150	129	450
	N20CIR3004	300	129	450
	N20CIR4504	450	129	450
	N20CIR6004	600	129	450
	N20CIR9004	900	129	450
600mm Radius	N20CIR1506	150	129	600
	N20CIR3006	300	129	600
	N20CIR4506	450	129	600
	N20CIR6006	600	129	600
	N20CIR9006	900	129	600

NEMA 20C CABLE LADDER TEE



Length does not include built in splice plates. Splice plate length is 150mm.



Fitting shown for illustration purposes only. The rung layout shown is typical and will vary on each fitting, depending on width and radius.

PRODUCT DETAILS

EzyStrut Nema 20C Steel Cable Ladder Tees are manufactured from strip steel to the following standards:

- Mild steel and Hot Dip Galvanised to AS/NZS1365, AS1594, AS/NZS4680, ISO1461
- Stainless Steel to AS1449/AS2837
- Meets the loading requirements of NEMA 20C Classification

The standard radius for EzyStrut Nema 20C Tees is 450mm.

24 splice bolts (SBH or SBS) and splice nuts (SNH or SNS) should be ordered separately for installation. See Page 2.2.

ORDERING DETAILS

Supplied individually

AVAILABLE FINISH

Hot Dip Galvanised
Stainless Steel

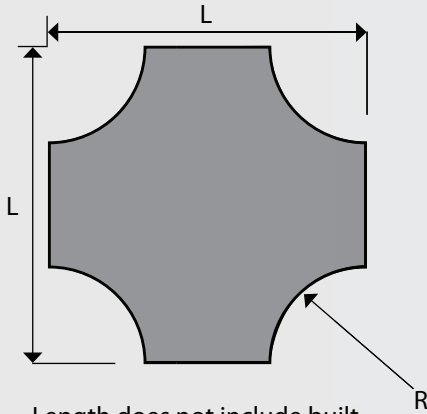
ORDERING CODE

N20CT...H
N20CT...S

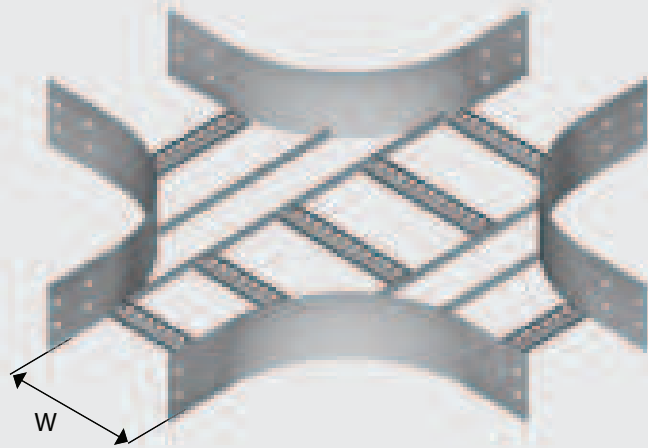
Stainless Steel products are manufactured against firm orders only. Minimum production quantities may apply.

	Ordering Code	Cable Laying Width - W (mm)	Cable Laying Depth	Length 1 - L1 (mm)	Length 2 - L2 (mm)	Radius - R (mm)
300mm Radius	N20CT1503	150	129	750	450	300
	N20CT3003	300	129	900	600	300
	N20CT4503	450	129	1050	750	300
	N20CT6003	600	129	1200	900	300
	N20CT9003	900	129	1500	1200	300
450mm Radius	N20CT1504	150	129	1050	600	450
	N20CT3004	300	129	1200	750	450
	N20CT4504	450	129	1350	900	450
	N20CT6004	600	129	1500	1050	450
	N20CT9004	900	129	1800	1350	450
600mm Radius	N20CT1506	150	129	1350	750	600
	N20CT3006	300	129	1500	900	600
	N20CT4506	450	129	1650	1050	600
	N20CT6006	600	129	1800	1200	600
	N20CT9006	900	129	2100	1500	600

NEMA 20C CABLE LADDER CROSS



Length does not include built in splice plates. Splice plate length is 150mm.



Fitting shown for illustration purposes only. The rung layout shown is typical and will vary on each fitting, depending on width and radius.

PRODUCT DETAILS

EzyStrut Nema 20C Steel Cable Ladder Crosses are manufactured from strip steel to the following standards:

- Mild steel and Hot Dip Galvanised to AS/NZS1365, AS1594, AS/NZS4680, ISO1461
- Stainless Steel to AS1449/AS2837
- Meets the loading requirements of NEMA 20C Classification

The standard radius for EzyStrut Nema 20C Crosses is 450mm.

32 splice bolts (SBH or SBS) and splice nuts (SNH or SNS) should be ordered separately for installation. See Page 2.2.

ORDERING DETAILS

Supplied individually

AVAILABLE FINISH

Hot Dip Galvanised
Stainless Steel

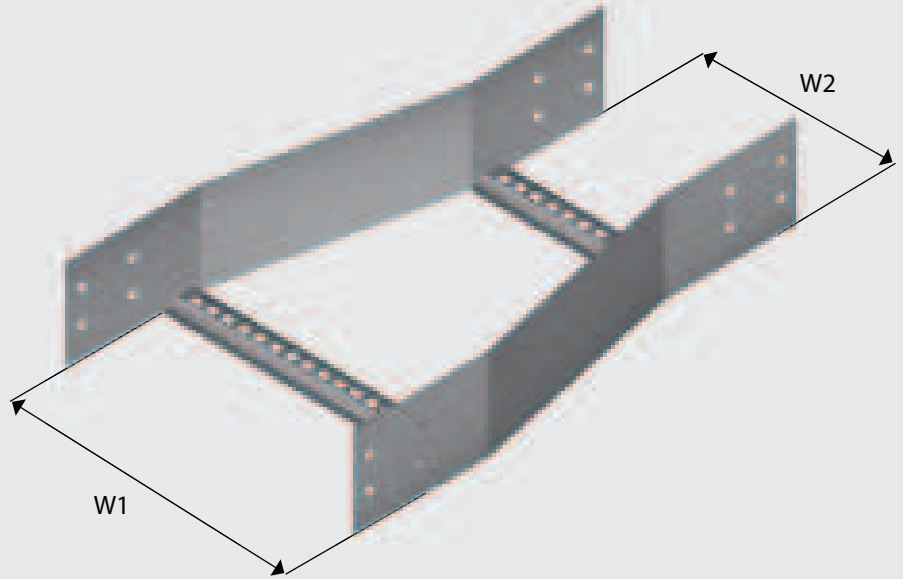
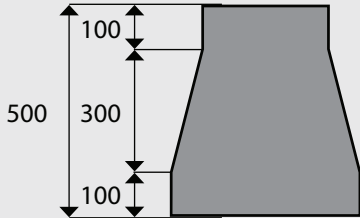
ORDERING CODE

N20CC...H
N20CC...S

Stainless Steel products are manufactured against firm orders only. Minimum production quantities may apply.

Ordering Code	Cable Laying Width - W (mm)	Cable Laying Depth (mm)	Length - L (mm)	Radius - R (mm)	
300mm Radius	N20CC1503	150	129	750	300
	N20CC3003	300	129	900	300
	N20CC4503	450	129	1050	300
	N20CC6003	600	129	1200	300
	N20CC9003	900	129	1500	300
450mm Radius	N20CC1504	150	129	1050	450
	N20CC3004	300	129	1200	450
	N20CC4504	450	129	1350	450
	N20CC6004	600	129	1500	450
	N20CC9004	900	129	1800	450
600mm Radius	N20CC1506	150	129	1350	600
	N20CC3006	300	129	1500	600
	N20CC4506	450	129	1650	600
	N20CC6006	600	129	1800	600
	N20CC9006	900	129	2100	600

NEMA 20C CABLE LADDER STRAIGHT REDUCER



Length does not include built in splice plates. Splice plate length is 150mm.

PRODUCT DETAILS

EzyStrut Nema 20C Steel Cable Ladder Straight Reducers are manufactured from strip steel to the following standards:

- Mild steel and Hot Dip Galvanised to AS/NZS1365, AS1594, AS/NZS4680, ISO1461
- Stainless Steel to AS1449/AS2837
- Meets the loading requirements of NEMA 20C Classification

16 splice bolts (SBH or SBS) and splice nuts (SNH or SNS) should be ordered separately for installation. See Page 2.2.

ORDERING DETAILS

Supplied individually

AVAILABLE FINISH

Hot Dip Galvanised
Stainless Steel

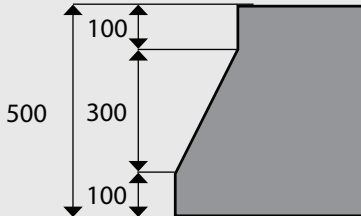
ORDERING CODE

N20CSR...H
N20CSR...S

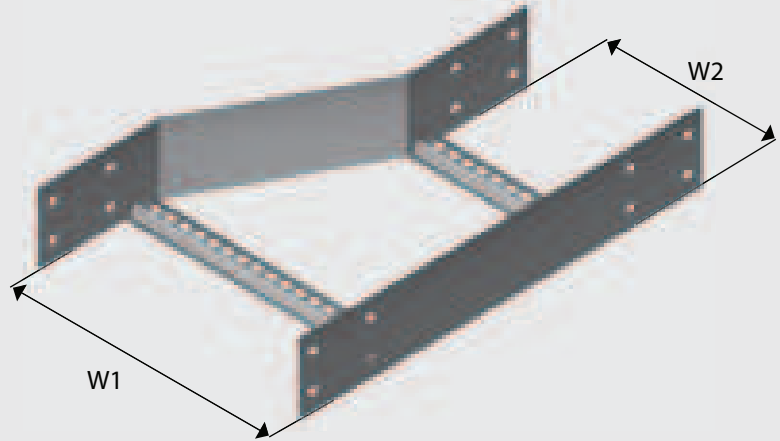
Stainless Steel products are manufactured against firm orders only. Minimum production quantities may apply.

Ordering Code	Cable Laying Depth (mm)	Width 1 - W1 (mm)	Width 2 - W2 (mm)
N20CSR900600	129	900	600
N20CSR900450	129	900	450
N20CSR900300	129	900	300
N20CSR900150	129	900	150
N20CSR600450	129	600	450
N20CSR600300	129	600	300
N20CSR600150	129	600	150
N20CSR450300	129	450	300
N20CSR450150	129	450	150
N20CSR300150	129	300	150

NEMA 20C CABLE LADDER RIGHT HAND REDUCER



Length does not include built in splice plates. Splice plate length is 150mm.



PRODUCT DETAILS

EzyStrut Nema 20C Steel Cable Ladder Right Hand Reducers are manufactured from strip steel to the following standards:

- Mild steel and Hot Dip Galvanised to AS/NZS1365, AS1594, AS/NZS4680, ISO1461
- Stainless Steel to AS1449/AS2837
- Meets the loading requirements of NEMA 20C Classification

16 splice bolts (SBH or SBS) and splice nuts (SNH or SNS) should be ordered separately for installation. See Page 2.2.

ORDERING DETAILS

Supplied individually

AVAILABLE FINISH

Hot Dip Galvanised
Stainless Steel

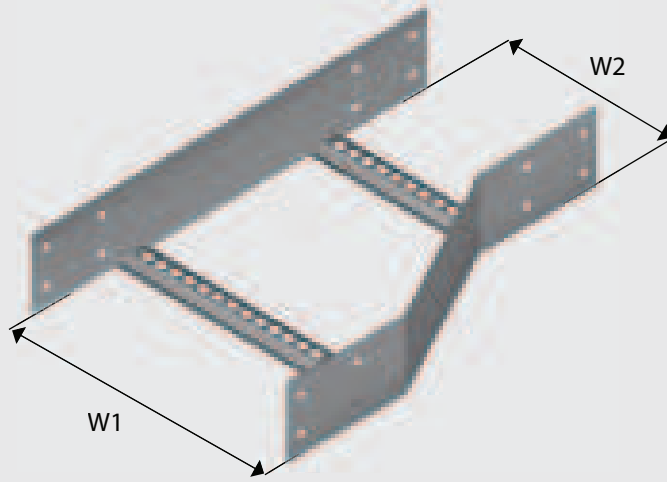
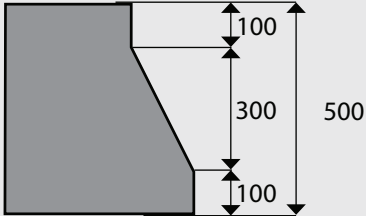
ORDERING CODE

N20CRHR...H
N20CRHR...S

Stainless Steel products are manufactured against firm orders only. Minimum production quantities may apply.

Ordering Code	Cable Laying Depth (mm)	Width 1 - W1 (mm)	Width 2 - W2 (mm)
N20CRHR900600	129	900	600
N20CRHR900450	129	900	450
N20CRHR900300	129	900	300
N20CRHR900150	129	900	150
N20CRHR600450	129	600	450
N20CRHR600300	129	600	300
N20CRHR600150	129	600	150
N20CRHR450300	129	450	300
N20CRHR450150	129	450	150
N20CRHR300150	129	300	150

NEMA 20C CABLE LADDER LEFT HAND REDUCER



Length does not include built in splice plates. Splice plate length is 150mm.

PRODUCT DETAILS

EzyStrut Nema 20C Steel Cable Ladder Left Hand Reducers are manufactured from strip steel to the following standards:

- Mild steel and Hot Dip Galvanised to AS/NZS1365, AS1594, AS/NZS4680, ISO1461
- Stainless Steel to AS1449/AS2837
- Meets the loading requirements of NEMA 20C Classification

16 splice bolts (SBH or SBS) and splice nuts (SNH or SNS) should be ordered separately for installation. See Page 2.2.

ORDERING DETAILS

Supplied individually

AVAILABLE FINISH

- Hot Dip Galvanised
- Stainless Steel

ORDERING CODE

- N20CLHR...H
- N20CLHR...S

Stainless Steel products are manufactured against firm orders only. Minimum production quantities may apply.

Ordering Code	Cable Laying Depth (mm)	Width 1 - W1 (mm)	Width 2 - W2 (mm)
N20CLHR900600	129	900	600
N20CLHR900450	129	900	450
N20CLHR900300	129	900	300
N20CLHR900150	129	900	150
N20CLHR600450	129	600	450
N20CLHR600300	129	600	300
N20CLHR600150	129	600	150
N20CLHR450300	129	450	300
N20CLHR450150	129	450	150
N20CLHR300150	129	300	150