

Catalogue No: **VC11RT92410M**

CAPACITIVE PLASTIC SMOOTH M32 AC/DC CO 4-12mm ONDELAY 2M CAB

Field Switching and Sensing > Non Contact Sensors > Proximity Sensors > Carlo Gavazzi Proximity Sensors > Carlo Gavazzi Capacitive Proximity Sensors > 32mm Cylindrical - Capacitive Sensor



VC Series Capacitive Proximity Sensors, thermo-plastic housing, 24 V AC/DC power supply, relay output, adjustable ON time delay, 4 to 12mm sensing range, IP67 rating, 2m pre-wired cable



- Featuring TRIPLESIELD™ sensor protection to withstand electrostatic discharges up to 40KV, line transients up to 4KV, and airborne noise (ie. cellular phones) up to 15V/m.
- Various sizes including 12mm, 18mm, and 30mm diameters
- Plastic and metal housings alternatives AC and DC outputs
- Either a built-in cable or a connector

Representative Photo Only
(actual product may vary based on configuration selections)

SPECIFICATIONS

Product Series	VC
Component Type Field Switching & Sensing	Proximity Sensor
Sensing Mode	Capacitive
Shape	Cylindrical - Smooth
Diameter	32 mm
Length	101 mm
Orientation	Straight Through
Mounting (Multiple)	Cable Gland (Ordered Separately)
Teach Mode / Sensitivity Adjustment	Yes sensitivity
Sensing Distance, Min	4 mm min
Sensing Distance, Max	12 mm max
Un, Nominal Operational Voltage, DC	24 V DC
Switching Mode	Configurable ON Delay
Output Type	Relay
Time Delay Range	1s ... 10min
Switching/Operating Frequency	1 Hz
Number of Conductors	5 qty
Connection / Termination	Built-in cable with flying leads
Length, Cable	2 m
Colour, Cable Jacket	Grey colour
Material, cable jacket	PVC material
Material, Body / Housing	Plastic material
Operating Temperature, Max	70 °C max
Operating Temperature, Min	-20 °C min
Storage Temperature, Max	85 °C max
Storage Temperature, Min	-40 °C min
IP Rating	IP67

Catalogue No: **VC11RT92410M**

CAPACITIVE PLASTIC SMOOTH M32 AC/DC CO 4-12mm ONDELAY 2M CAB

Field Switching and Sensing > Non Contact Sensors > Proximity Sensors > Carlo Gavazzi Proximity Sensors > Carlo Gavazzi Capacitive Proximity Sensors > 32mm Cylindrical - Capacitive Sensor



REFERENCES

IECEX Certificate -

Supplier Declaration of
Conformity: -

Installation Guide: -

User Manual: -

Manufacturer Datasheet: [VC11RT92410M_ManufacturerDatasheet](#)

Manufacturer Catalogue
& Product Selection: -

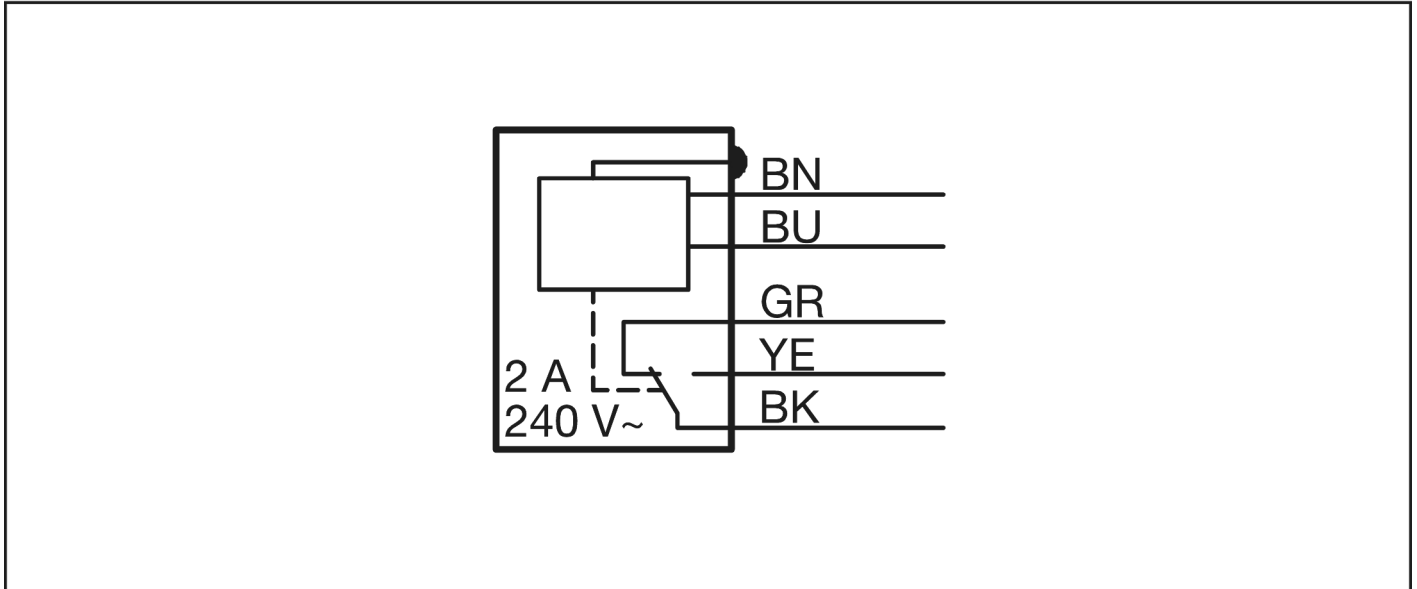
Catalogue No: **VC11RT92410M**

CAPACITIVE PLASTIC SMOOTH M32 AC/DC CO 4-12mm ONDELAY 2M CAB

Field Switching and Sensing > Non Contact Sensors > Proximity Sensors > Carlo Gavazzi Proximity Sensors > Carlo Gavazzi Capacitive Proximity Sensors > 32mm Cylindrical - Capacitive Sensor



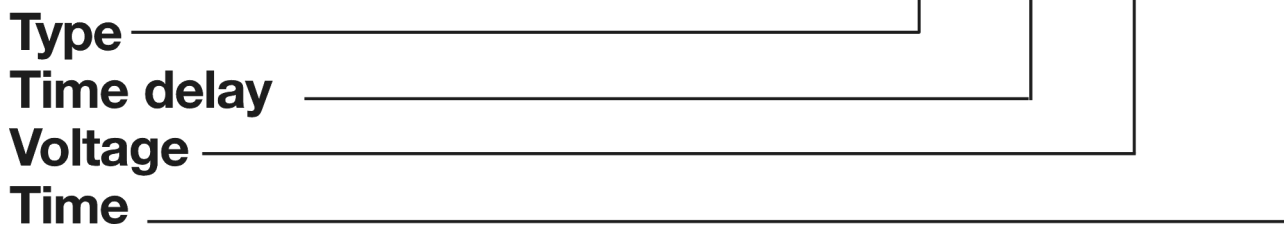
Wiring Diagram



Connection / Wiring Diagram

Ordering Key

VC11RT12010M



Technical Diagram