

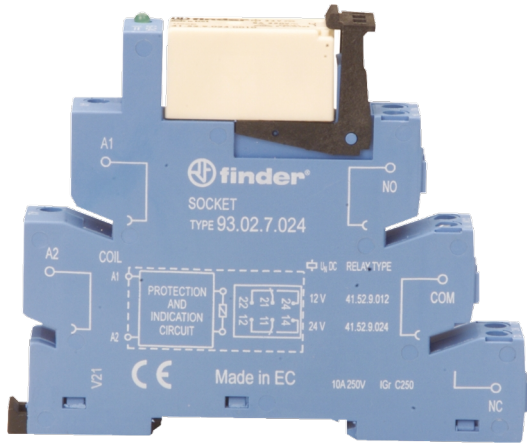
Catalogue No: 38.52 24 V DC

INTERFACE RELAY 8A 2CO 24VDC SENSITIVE COIL

Timers and Control Relays > General Purpose Relays > Electromechanical Relays > Finder Electromechanical Relays > Slim Relay Interface Modules > 38/48 Series Relay Interface Modules



Interface Relay 8A 2 C/O 24V DC Sensitive Coil



- Complete range from PCB to power relays to cover all of your switching requirements
- International certifications and approvals including CE, CSA, EAC, PCT, RINA, VDE and RoHS, providing quality assurance of a market leading product
- Compact construction allowing for most efficient use of your space

Representative Photo Only
(actual product may vary based on configuration selections)

SPECIFICATIONS

Product Series	38
Component Type Timers and Control relays	Relay
Contact Configuration	1 CO
Coil Type	DC
Coil Voltage, DC, Nom	24 V DC
Mounting	DIN-35 Rail Mount

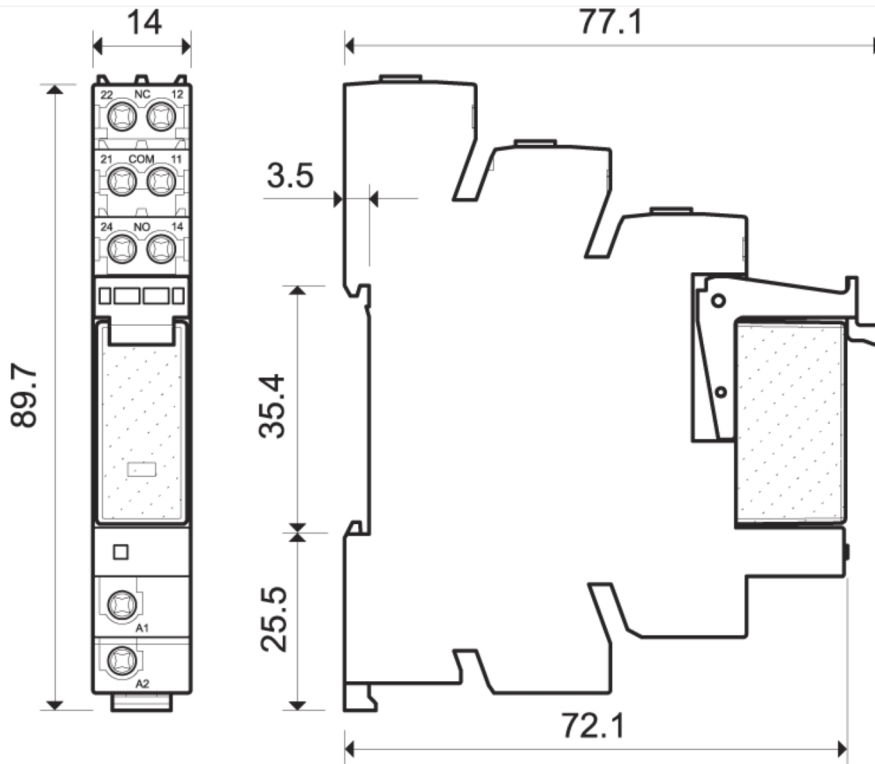
REFERENCES

IECEX Certificate	-
Supplier Declaration of Conformity:	-
Installation Guide:	-
User Manual:	-
Manufacturer Datasheet:	-
Manufacturer Catalogue & Product Selection:	-

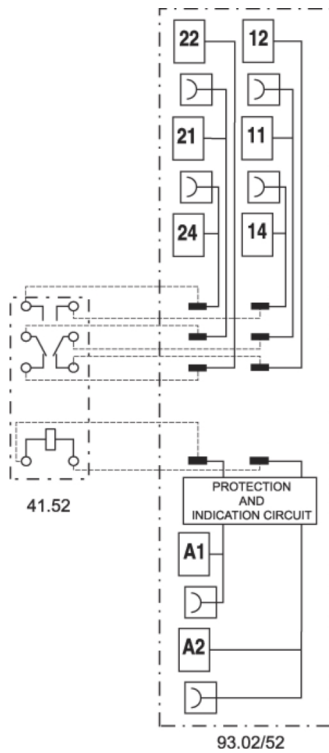
Catalogue No: **38.52 24 V DC**

INTERFACE RELAY 8A 2CO 24VDC SENSITIVE COIL

Timers and Control Relays > General Purpose Relays > Electromechanical Relays > Finder Electromechanical Relays > Slim Relay Interface Modules > 38/48 Series Relay Interface Modules



Dimension Diagram



Connection / Wiring Diagram